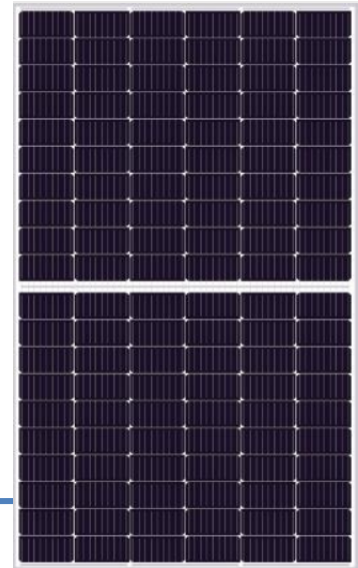




HW-M6/120H(360-380)

High Efficiency Mono Solar Module



Introduction

MBB and high-density interconnect technology improves power output and module efficiency.

Deploying advanced non-destructive cutting and half-cut technology, the Module features excellent Mechanical performance.



Excellent power generation performance

0/+5W positive power tolerance
Improved low light irradiance performance and low degradation



Advanced production process

Optimized MBB design
Cell efficiency >23.0%

Certificate

TUV: EN IEC 61215, EN IEC 61730
GB/T 19001-2016/ISO 9001:2015
GB/T 24001-2016/ISO 14001:2015
GB/T 45001-2020/ISO 45001:2018



Stable mechanical performance

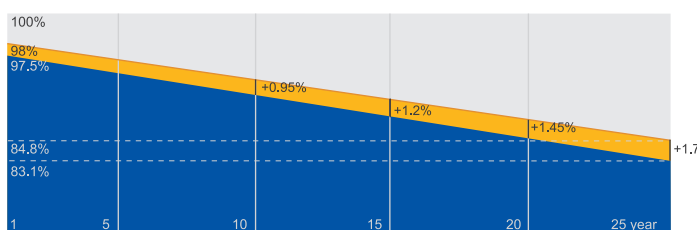
Passed rigorous hail test
Withstands 5400Pa snow and 2400Pa wind loads



Superior quality control

Full automatic production line
100% three times EL and appearance inspection

Warranty



■ New linear power warranty ■ Standard module linear power warranty

Hiwatt Solar Limited

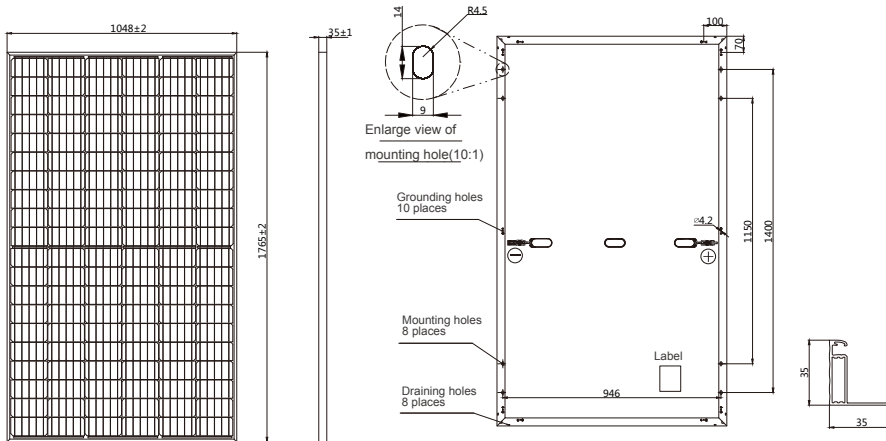
No.6, Fazhan Road, Dongtai city, Jiangsu, China

Tel:+86-523-89118897

Email: Info@hiwattsolar.com

Web: www.hiwattsolar.com

MECHANICAL DIAGRAMS



SPECIFICATIONS

Solar Cells	Monocrystalline
No. Of Cells	120(6x20)
Dimensions	1755x1038x35mm
Weight	20.5kgs
Junction Box	IP 68, 3 Diodes
Cables	4.0mm ²
Connectors	QC 4.10-35(1500V)

ELECTRICAL DATA (STC)

Peak Power Watts-PMAX (Wp)	360	365	370	375	380
Power Tolerance-PMAX (W)			0 ~ +5		
Maximum Power Voltage -VMPP (V)	33.7	33.9	34.1	34.3	34.5
Maximum Power Current -IMPP (A)	10.69	10.78	10.86	10.94	11.02
Open Circuit Voltage -VOC (V)	40.4	40.6	40.8	41.0	41.2
Short Circuit Current -ISC (A)	11.40	11.47	11.54	11.61	11.68
Module Efficiency (%)	19.5	19.7	20.0	20.5	20.8

STC: Irradiance 1000W/m², Cell Temperature 25°C, Air Mass AM1.5.

ELECTRICAL DATA (NOCT)

Maximum Power-PMAX (Wp)	269	272	276	280	284
Maximum Power Voltage -VMPP (V)	31.4	31.6	31.8	32.0	32.2
Maximum Power Current -IMPP (A)	8.55	8.62	8.68	8.74	8.81
Open Circuit Voltage -VOC (V)	38.0	38.2	38.4	38.6	38.8
Short Circuit Current -ISC (A)	9.20	9.25	9.31	9.37	9.43

NOCT: Irradiance at 800W/m², Ambient Temperature 20°C, Wind Speed 1m/s.

TEMPERATURE RATINGS

NOCT(Nominal Operating Cell Temperature)	43°C (±2°C)
Temperature Coe-cient of PMAX	- 0.34%/°C
Temperature Coe-cient of VOC	- 0.25%/°C
Temperature Coe-cient of ISC	0.04%/°C

MAXIMUM RATINGS

Operational Temperature	-40~+85°C
Maximum System Voltage	1500V DC (IEC)
Max Series Fuse Rating	30A

PACKAGING

Modules per box:	31 pieces
Modules per 40' container:	858 pieces

WARRANTY

12 year Product Workmanship Warranty
 25 year Power Warranty
 0.55% Annual Power Attenuation
 2% first year degradation

CHARACTERISTICS

